

# SI-AD4 / SO-DA4 Installation Manual

This guide describes how to install SI-AD4 (input) and SO-DA4 (output) modules in your S-4000S. Before you attempt installation, please read this document carefully.

© 2005 Roland Corporation

All rights reserved. No part of this publication may be reproduced in any form without the written permission of ROLAND CORPORATION.

## For the Purchaser — Please Read

When installing or detaching the SI-AD4 or SO-DA4, be sure to consult your RSS Authorized Service Center.

## For the Installer (Service Technician) — Please Read

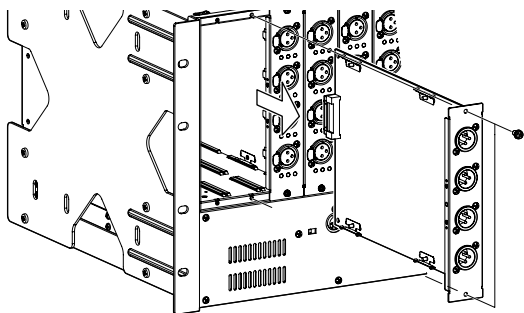
After installing the SI-AD4 or SO-DA4, please be sure to return this document to the purchaser.

## Cautions When Installing the SI-AD4 or SO-DA4

- Always turn the unit off and unplug the AC plug before attempting installation of the SI-AD4 or SO-DA4.
- Install only the specified option. Remove only the specified screws.
- To avoid the risk of damage to internal components that can be caused by static electricity, please carefully observe the following whenever you handle the board.
  - Before you touch the board, always first grasp a metal object (such as a water pipe), so you are sure that any static electricity you might have been carrying has been discharged.
  - When handling the board, grasp it only by its edges. Avoid touching any of the electronic components.
  - Save the bag in which the board was originally shipped, and put the board back into it whenever you need to store or transport it.
- Do not touch any of the printed circuit pathways.
- Never use excessive force when installing a circuit board. If it doesn't fit properly on the first attempt, remove the board and try again.
- When the SI-AD4 or SO-DA4 installation is complete, double-check your work.
- Use a Philips screwdriver of the appropriate size to avoid damaging the screw heads (a number of 2 screwdriver).
- Turn the screwdriver counter-clockwise to loosen the screws-turn it clockwise to tighten them.
- Be careful not to let the screws drop inside the each unit.
- Never leave a module uninstalled. Cover any unused slots with optional S-BP blank panels.
- Be careful not to cut your hand on the edge of the circuit board or the opening edge while removing the S-BP.



## Uninstalling an SI-AD4/SO-DA4



- 1** Remove the two screws from each module (SI-AD4 or SO-DA4) installed in the S-4000S.
- 2** Extract the module from the S-4000S.

### MEMO

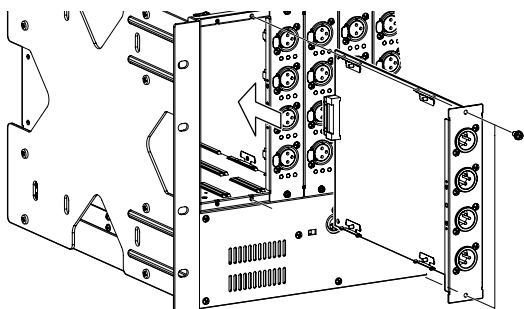
The module shown in the figure is the SO-DA4. The removal procedures for the SI-AD4 and SO-DA4 are the same.

### HINT

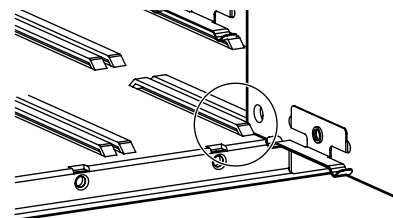
Extraction of the SI-AD4 or SO-DA4 may be accomplished more easily by inserting an XLR plug into a connector on the module, then pulling out the module while gripping the plug.

## Installing an SI-AD4/SO-DA4

- 1** Load the modules (SI-AD4 or SO-DA4) into the S-4000S.



- 2** Align the module's circuit board with the slot in the S-4000S, and insert slowly.



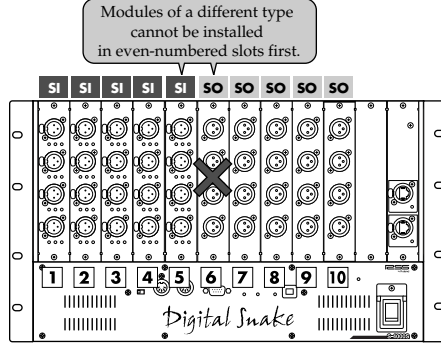
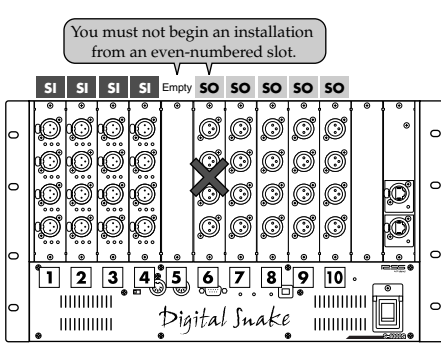
- 3** Press in the module firmly until you feel resistance.
- 4** Secure the module in place using the two screws removed when detaching the module.

Refer to the Service Notes issued by Roland and perform the operational checks necessary to ensure that each module has been installed correctly.

# Module Installation Rules

The rules for installing modules (SI-AD4/SO-DA4) are as follows. Be sure to follow these rules when installing.

■ **Installation must start from an odd-numbered slot.**



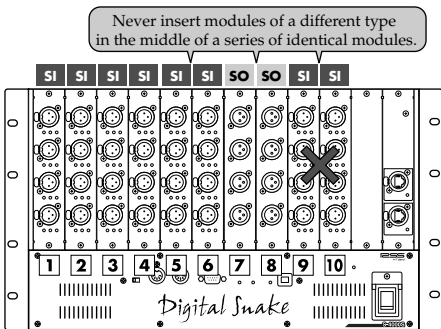
SI = SI-AD4

SO = SO-DA4

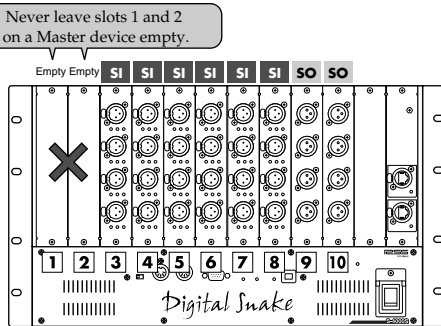


On a Slave or Split device, leaving slots 1 and 2 empty poses no problem.

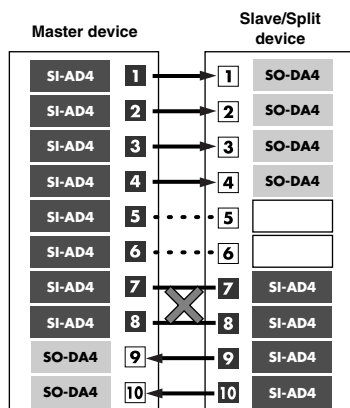
■ **Group together modules of the same type.**



■ **On a device for which the REAC mode is Master, be sure to install modules in slots 1 and 2.**



■ **The modules installed in a device serving as the counterpart to a device for which the REAC mode is Master need to be of a different type.**



The audio input into the Master device is transmitted to the modules on the connected device (a Slave device or the like).

No audio is transmitted to empty slots.

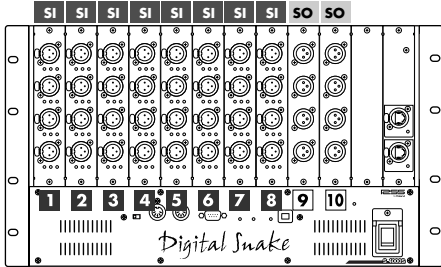
No audio can be transmitted when the modules installed on the connected device (a Slave device or the like) are of the same type.

Signals can be transmitted from a Slave device to the Master device. However, transmission from a Split device to the Master device is not possible.

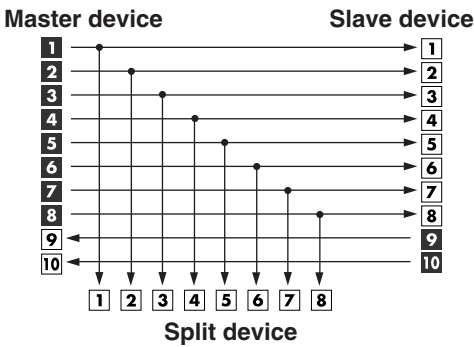
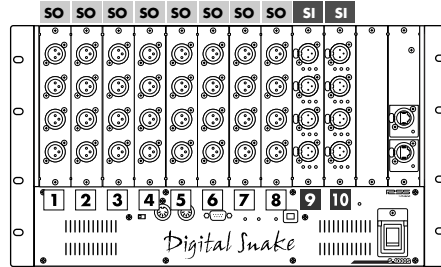
# Examples of Module Setup

## 32x8 (32 in 8 out) System

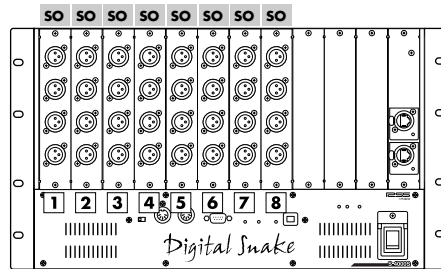
### Master device



### Slave device

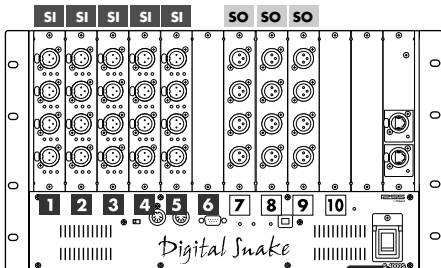


### Split device

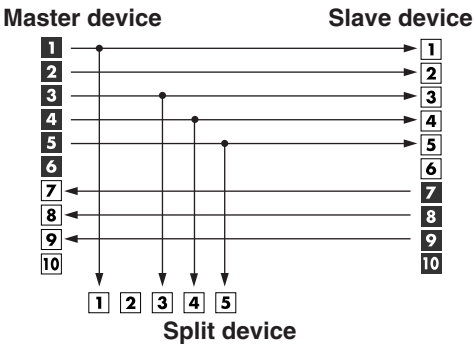
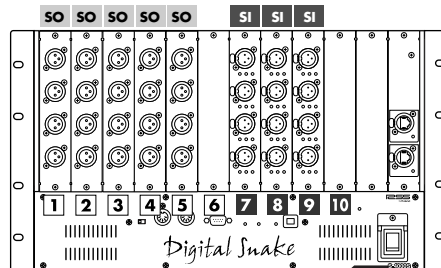


## 20x12 (20 in 12 out) System

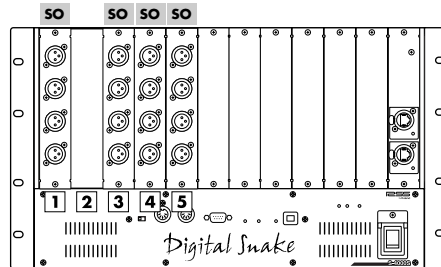
### Master device



### Slave device



### Split device



### HINT

As shown in the figure (Split device), modules in even-numbered slots for which no output is required can be removed.