

HELLBABE HB01

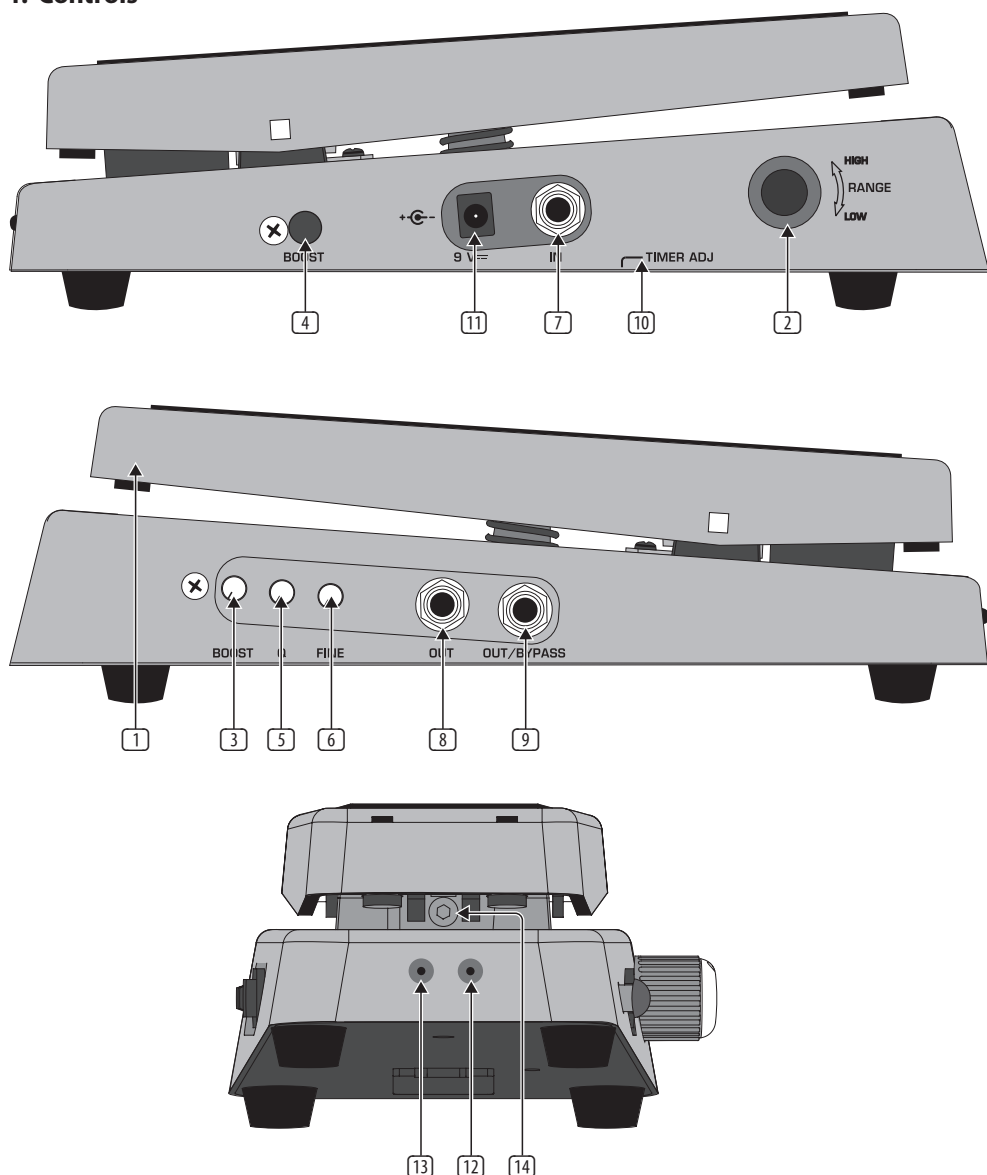
Ultimate Wah-Wah Pedal with Optical Control

Thank you for showing your confidence in us by purchasing the BEHRINGER HELLBABE HB01. This professional Wah-Wah pedal is specially designed to provide everything you need for all-style classic and modern sounds. Thanks to its high-performance features like flexible Q control, freely adjustable heel-down frequency range (perfect for use with bass guitars), tunable boost function and much more you're armed with a tool for serious musicians yearning for the most up-to-date sounds to add new dimensions to their creativity.

WHERE TO PUT YOUR WAH-WAH

Most guitar players put their Wah-Wah pedal before time based effects like reverb, flanger, chorus, vibrato etc. This assures that the effects are added to the Wah-Wah sound. Even all kinds of distortion/overdrive effects should be placed before this unit to achieve best tone results.

1. Controls



- 1 This is the **pedal** of the HB01. The unit will be activated as soon as you put your foot on and move it. By taking your foot from the pedal the effect will be deactivated. Depending on the timer adjustment (see [10](#)) the HB01 remains active for a few seconds after that.
- 2 The **RANGE** control lets you extend the heel-down frequency to match the frequency range of bass guitars for example (440 Hz to 250 Hz).
- 3 The **BOOST** switch activates the boost function. The output level is then increased - but only if the Wah effect is switched on.
- 4 The **BOOST** control adjusts the level of output boost (max. +15 dB). This control is only active if the BOOST switch is set to ON (and if the Wah is switched on).
- 5 The **Q** control allows to change the shape of the filter peak. High Q settings (turned to right position) produce a large, selective filter peak with a high output level. Low Q settings (turned to left position) provide a lower output level with a subtle, broad filter peak producing less vocal effect.
- 6 Turning the **FINE** control allows to extend the toe-down frequency of the sweep range up to 2.2 kHz.
- 7 Use this ¼" TS **IN** connector to plug in the instrument cable.
- 8 The ¼" TS **OUT** connector sends the effected signal to your amp.
- 9 The ¼" TS **OUT/BYPASS** connector can be used as second output or as bypass, hard wired to the input, to play out the uneffected signal.
- 10 The **TIMER ADJ** control (accessible through a hole in the housing) is needed to adjust the time the effect remains active after taking your foot from the pedal.
- 11 Use the **9 V** connection to plug in a 9 V power supply (not included).
- 12 The **STATUS-LED** illuminates when the effect is activated.
- 13 The **BOOST-LED** illuminates when the boost function is activated.
- 14 The **rocker screw** allows to adjust the resistance of the rocker mechanism.

The **BATTERY COMPARTMENT** is located at the bottom of the unit. Open the lid to install or replace the 9 V battery.

♦ **The HB01 has no on/off switch. As soon as you insert the jack into the IN connector, the HB01 begins running. When not using the HB01, remove the jack from the IN connector. This extends the life of the battery.**

The **SERIAL NUMBER** is located at the bottom of the unit.

2. Safety Instructions

Do not use near water, or install near heat sources. Use only authorized attachments/accessories. Do not service product yourself. Contact our qualified servicing personnel for servicing or repairs, especially when power supply cord or plug is damaged.

3. Warranty

Please register your new BEHRINGER equipment right after your purchase by visiting <http://behringer.com> and read the terms and conditions of our warranty carefully.

4. Specifications

Input

Connector	¼" TS
Impedance	1 MΩ

Output

Connector	¼" TS
Impedance	1 kΩ

Output/Bypass

Connector	¼" TS
Impedance	1 kΩ

Power Supply

	9 V, 100 mA DC regulated
PSU-SB-CN BEHRINGER	220 VAC adaptor China
PSU-SB-EU BEHRINGER	230 VAC adaptor Europe
PSU-SB-JP BEHRINGER	100 VAC adaptor Japan
PSU-SB-SAA BEHRINGER	240 VAC adaptor Australia
PSU-SB-UK BEHRINGER	240 VAC adaptor UK
PSU-SB-UL BEHRINGER	120 VAC adaptor USA
Power connector	2 mm DC jack, negative center
Battery	9 V type 6LR61
Power consumption	30 mA

Dimensions/Weight

Dimensions (H x W x D)	3.8 x 4.7 x 10" / 99 x 120 x 254 mm
Weight	2.6 lbs / 1.2 kg

BEHRINGER is constantly striving to maintain the highest professional standards. As a result of these efforts, modifications may be made from time to time to existing products without prior notice. Specifications and appearance may therefore differ from those listed or shown.

TECHNICAL SPECIFICATIONS AND APPEARANCES ARE SUBJECT TO CHANGE WITHOUT NOTICE AND ACCURACY IS NOT GUARANTEED. BEHRINGER IS PART OF THE MUSIC GROUP (MUSIC-GROUP.COM). ALL TRADEMARKS ARE THE PROPERTY OF THEIR RESPECTIVE OWNERS. MUSIC GROUP ACCEPTS NO LIABILITY FOR ANY LOSS WHICH MAY BE SUFFERED BY ANY PERSON WHO RELIES EITHER WHOLLY OR IN PART UPON ANY DESCRIPTION, PHOTOGRAPH OR STATEMENT CONTAINED HEREIN. COLORS AND SPECIFICATIONS MAY VARY FROM ACTUAL PRODUCT. MUSIC GROUP PRODUCTS ARE SOLD THROUGH AUTHORIZED FULLFILLERS AND RESELLERS ONLY. FULLFILLERS AND RESELLERS ARE NOT AGENTS OF MUSIC GROUP AND HAVE ABSOLUTELY NO AUTHORITY TO BIND MUSIC GROUP BY ANY EXPRESS OR IMPLIED UNDERTAKING OR REPRESENTATION. THIS MANUAL IS COPYRIGHTED. NO PART OF THIS MANUAL MAY BE REPRODUCED OR TRANSMITTED IN ANY FORM OR BY ANY MEANS, ELECTRONIC OR MECHANICAL, INCLUDING PHOTOCOPYING AND RECORDING OF ANY KIND, FOR ANY PURPOSE, WITHOUT THE EXPRESS WRITTEN PERMISSION OF MUSIC GROUP IP LTD. ALL RIGHTS RESERVED.

© 2012 MUSIC Group IP Ltd. Trident Chambers, Wickhams Cay, P.O. Box 146, Road Town, Tortola, British Virgin Islands