

Before using this stand, carefully read the sections entitled "USING THE UNIT SAFELY" and "IMPORTANT NOTES." Additionally this manual should be saved and kept on hand as a convenient reference.

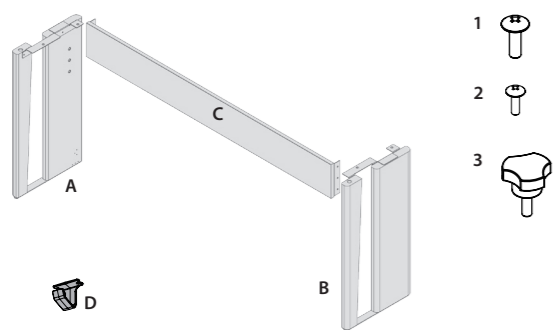


- Make sure that another person is on hand to help with the assembly and setup.
- Be very careful, when you assemble and move the piano, to make sure that you do not drop it on your hands or feet.
- Prepare an area in which you can perform the assembly safely.
- Do not use a power tool (e.g., an electric screwdriver) to assemble the stand. You risk damaging or stripping the screws.
- The KSC-90 is designed specifically to be used with the FP-90.

Copyright © 2016 ROLAND CORPORATION

Parts Check

Before you begin assembling the stand, check that all the parts are supplied.

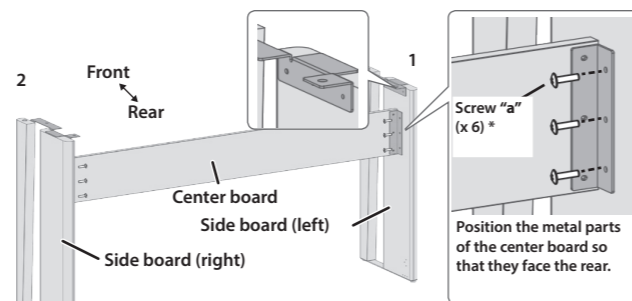


A	Side board (left)	1 pcs.
B	Side board (right)	1 pcs.
C	Center board	1 pcs.
D	Headphone hook	1 pcs.
1	Screw "a" (M5 x 20 mm)	6 pcs.
2	Screw "b" (M4 x 16 mm)	2 pcs.
3	Knob bolt	4 pcs.

1 Stand Assembly

At first, assemble the entire stand in a temporary fashion, without really tightening the screws. Then, after checking the overall alignment of the boards (and gently shifting certain parts where necessary), go around and tightly fasten each of the screws.

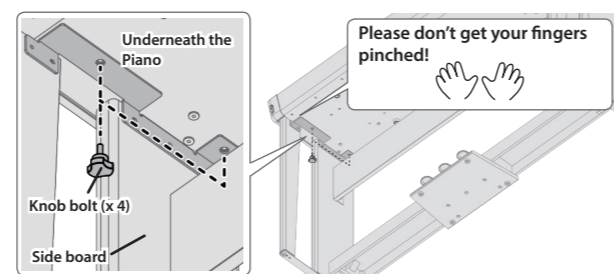
1. Attach the side board (left) for the left sides to the center board (so that the metal parts face inside) using screws "a" (M5 x 20 mm).
2. Use screws "a" (M5 x 20 mm) to attach the side board (right) in the same way.



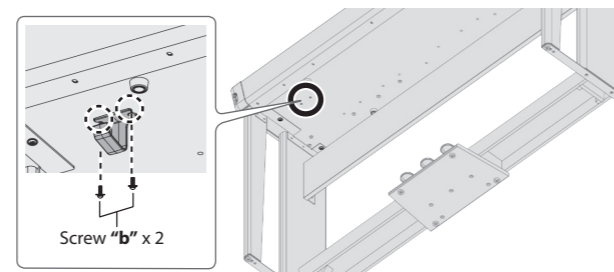
2 Installing the Piano on the Stand

1. Set the piano on the stand, then firmly attach the four knob bolts.

\* When handling the piano, firmly grasp it. Be careful, so you do not get your fingers pinched.



2. Use two screws "b" (M4 x 16 mm) to fasten the headphone hook.



Assembly Procedure

- \* You will also need to have a Phillips screwdriver.
- \* Fasten each screw tightly, then place the stand in a stable and horizontal place.
- \* Do not allow the pedal cord or power cord to get twisted or pinched while assembling the stand.
- \* This document explains the specifications of the product at the time that the document was issued. For the latest information, refer to the Roland website.

INSTRUCTIONS FOR THE PREVENTION OF FIRE, ELECTRIC SHOCK, OR INJURY TO PERSONS

About WARNING and CAUTION Notices

<b>WARNING</b>	Used for instructions intended to alert the user to the risk of death or severe injury should the unit be used improperly.
<b>CAUTION</b>	Used for instructions intended to alert the user to the risk of injury or material damage should the unit be used improperly. * Material damage refers to damage or other adverse effects caused with respect to the home and all its furnishings, as well to domestic animals or pets.

About the Symbols

	The symbol alerts the user to important instructions or warnings. The specific meaning of the symbol is determined by the design contained within the triangle. In the case of the symbol at left, it is used for general cautions, warnings, or alerts to danger.
	The symbol alerts the user to items that must never be carried out (are forbidden). The specific thing that must not be done is indicated by the design contained within the circle. In the case of the symbol at left, it means that the unit must never be disassembled.
	The symbol alerts the user to things that must be carried out. The specific thing that must be done is indicated by the design contained within the circle. In the case of the symbol at left, it means that the power-cord plug must never be unplugged from the outlet.

ALWAYS OBSERVE THE FOLLOWING

**WARNING**

**Do not disassemble or modify by yourself**

Do not carry out anything unless you are instructed to do so in the owner's manual. Otherwise, you risk causing malfunction.



**Do not repair or replace parts by yourself**

Refer all servicing to your retailer, the nearest Roland Service Center, or an authorized Roland distributor, as listed on the "Information."



**Do not use or store in the following types of locations**

- Subject to temperature extremes (e.g., direct sunlight in an enclosed vehicle, near a heating duct, on top of heat-generating equipment); or are
- Damp (e.g., baths, washrooms, on wet floors); or are
- Exposed to steam or smoke; or are
- Subject to salt exposure; or are
- Exposed to rain; or are
- Dusty or sandy; or are
- Subject to high levels of vibration and shakiness; or are
- Placed in a poorly ventilated location.



**Do not place in an unstable location**

Otherwise, you risk injury as the result of the unit toppling over or dropping down.



**Be cautious to protect children from injury**

Always make sure that an adult is on hand to provide supervision and guidance when using the unit in places where children are present, or when a child will be using the unit.



**Do not drop or subject to strong impact**

Otherwise, you risk causing damage or malfunction.



**CAUTION**

**Use the stand only for the specified products**

This stand is designed specifically to be used with the Roland FP-90. If used in combination with other products, you risk sustaining injuries as the result of the product dropping down or toppling over due to a lack of stability.



**Evaluate safety issues before using stands**

Even if you observe the cautions given in the owner's manual, certain types of handling may allow this product to fall from the stand, or cause the stand to overturn. Please be mindful of any safety issues before using this product.



**Avoid climbing on top of the unit, or placing heavy objects on it**

Otherwise, you risk injury as the result of the unit toppling over or dropping down.



**Keep small items out of the reach of children**

To prevent accidental ingestion of the parts listed below, always keep them out of the reach of small children.



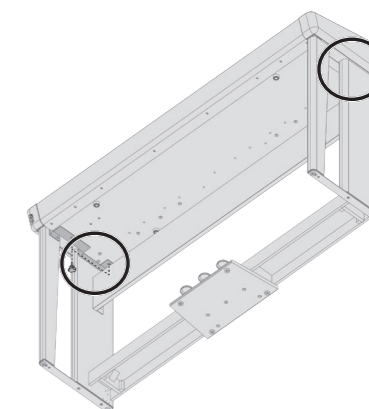
- Included Parts
- Screws

Placement

- Do not allow lighting devices that normally are used while their light source is very close to the unit (such as a piano light), or powerful spotlights to shine upon the same area of the unit for extended periods of time. Excessive heat can deform or discolor the unit.
- Do not paste stickers, decals, or the like to this instrument. Peeling such matter off the instrument may damage the exterior finish.
- Depending on the material and temperature of the surface on which you place the unit, its rubber feet may discolor or mar the surface.

Maintenance

- To clean the unit, use a dry, soft cloth; or one that is slightly dampened. Try to wipe the entire surface using an equal amount of strength, moving the cloth along with the grain of the wood. Rubbing too hard in the same area can damage the finish.
- Never use benzine, thinners, alcohol or solvents of any kind, to avoid the possibility of discoloration and/or deformation.
- As with any wood-crafted product, some expansion and contraction of the wood can occur depending on the way the unit is used and the environment in which it is used. Over time, this can cause some of the screws to start coming loose. To ensure safe, worry-free use of the unit, you should periodically check the tightness of the screws shown in the illustration.



Cautions When Moving the Piano

- You must use two or more people when moving the piano.
- Before moving the piano, disconnect the AC adaptor and other cables.
- Keep the piano level when lifting it.
- Be careful not to pinch your hands or drop the piano on your feet.

For C.A. US (Proposition 65)

**WARNING**

This product contains chemicals known to cause cancer, birth defects and other reproductive harm, including lead.



\* 5 1 0 0 0 5 4 1 8 7 - 0 1 \*