

- To assure that assembly is carried out properly, make sure to read these instructions before you begin the assembly. Please keep these instructions close at hand, so you can refer to them whenever you need.
- To move or assemble the piano, lift it carefully—all the while keeping it level.
- Be careful not to pinch your hands or drop this unit on your foot during assembly or transport.
- Make sure to enlist the help of at least one other person when assembling this unit and moving it to a different location.
- Make sure to keep screws, stabilizers, cord clamps and any other small parts in a safe location that is out of the reach of small children, so such small parts won't accidentally get swallowed.
- Screws must first be hand-tightened provisionally, and then tightened firmly. To hand-tighten a screw, screw it in until half of it is visible. Do not use an electric screwdriver to provisionally tighten or firmly tighten a screw. Doing so risks stripping the head or threads of the screw.

\* The screwdriver needed to perform the assembly is not supplied. You'll need to have ready a Phillips screwdriver that matches the size of the screws.  
 \* After firmly tightening all the screws, place the unit at a location that is level and sure to remain stable. The unit must never be placed on top of deep-pile carpet. Otherwise, you risk causing damage to the pedals due to instability and unnecessary movement.  
 \* The surface of the piano unit and the stand are very delicate; handle with care to avoid scratching them.  
 \* Do not place the piano unit directly on the floor. Doing so will damage the bottom panel case and the connectors and holders on the bottom of the piano.

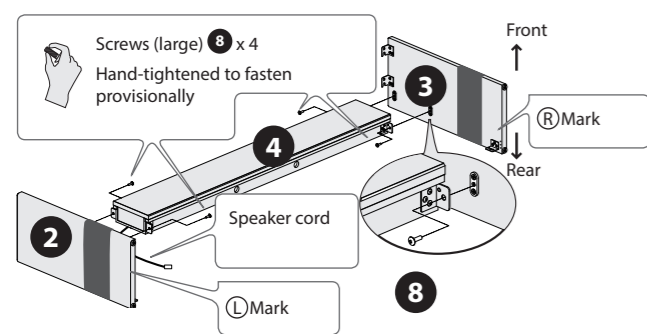
Check the Parts

|          |                          |           |                               |
|----------|--------------------------|-----------|-------------------------------|
| <b>1</b> | Piano main unit          | <b>8</b>  | Screws (large): 8 pcs.        |
| <b>2</b> | Side board (left)        | <b>9</b>  | Screws (small): 6 pcs.        |
| <b>3</b> | Side board (right)       | <b>10</b> | Screws (with washers): 2 pcs. |
| <b>4</b> | Speaker box              | <b>11</b> | Cord clamps: 2 pcs.           |
| <b>5</b> | Pedal board              | <b>12</b> | Headphone hook                |
| <b>6</b> | Stabilizers (left/right) |           |                               |
| <b>7</b> | Protective sheets        |           |                               |

\* To prevent the side boards from getting scratched, do not remove the protective sheets **7** until you are directed to do so.

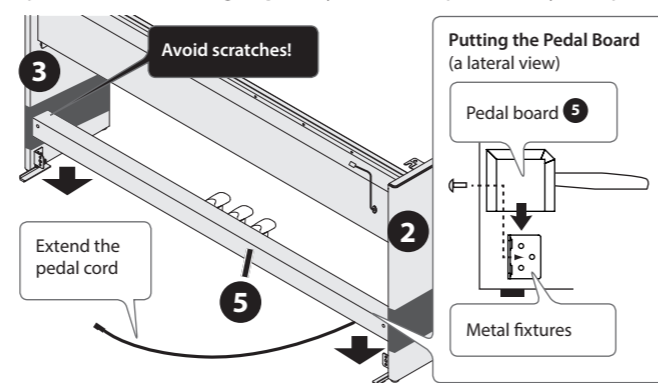
**1. Attach the side board (left) **2** and the side board (right) **3** to the speaker box **4**, and hand-tighten four of the screws (large) **8** to fasten them provisionally (four locations).**

Attach the speaker box so that the speaker cord is on the same side as the left side board **2**.



**3. Place the pedal board **5** onto the metal fixtures.**

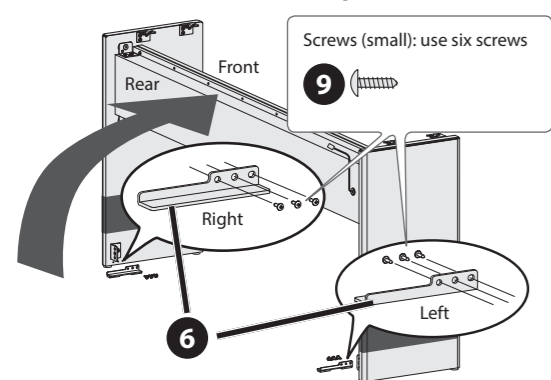
If you find it difficult to attach the pedal board **5**, slightly loosen the speaker box screws (large) **8** that you fastened provisionally in step 1.



**2. Place the unit upright, and use the screws (small) **9** to fasten the stabilizers **6** to the side boards **2, 3** (six locations).**

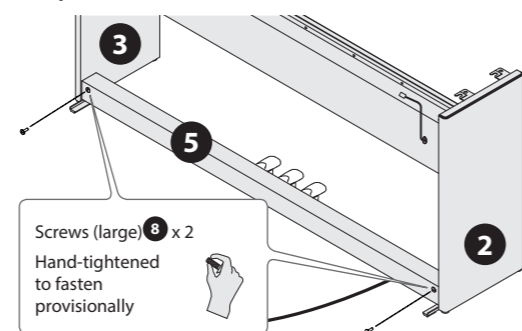
When standing the assembled unit up, grasp near the center of the speaker box, and gently raise the assembly.

Take care not to attach the left and right stabilizer to the wrong sides.

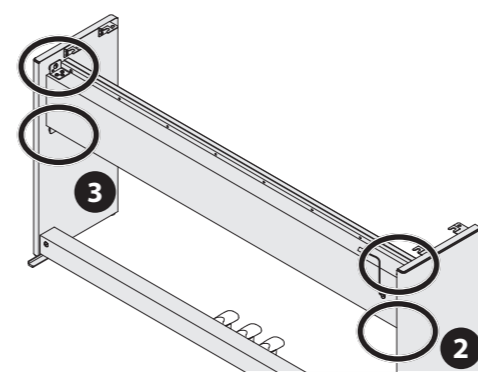


**4. Remove the protective sheets **7** from each side board.**

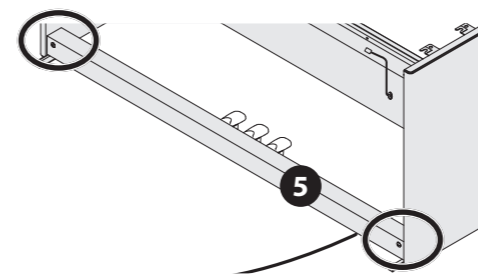
**5. Hand-tighten the screws (large) **8** to provisionally fasten the pedal board **5** to the side boards **2, 3** (two locations).**



**6. Firmly tighten each of the side board **2, 3** screws (four locations) that you provisionally tightened in step 1, making sure that they are secure.**



**7. Step on the pedals of the pedal board **5**, and make sure that the rubber feet on the bottom of the pedals are in contact with the floor. Firmly tighten the pedal board **5** screws (two locations) that you provisionally tightened in step 5, making sure that they are secure.**

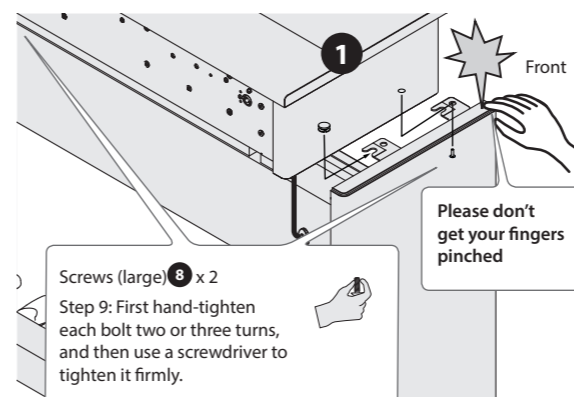


**8. Align the protruding screws (one each at right and left) on the bottom of the piano **1** with the openings in the metal fittings on the side board **2, 3**, then slide the piano forward until the screws are held in place.**

Place the keyboard so that it is centered, both front to back and left to right.

NOTE

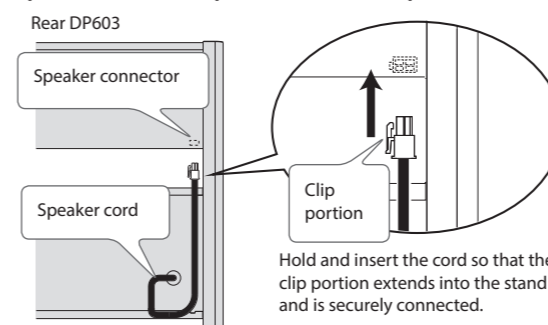
Grasp the piano **1** in the middle at the front and rear, taking care not to pinch your hands.



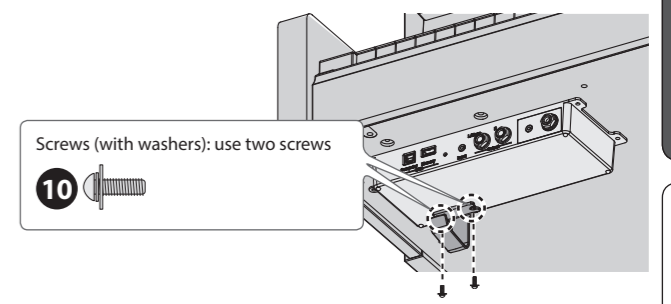
**9. Use the screws (large) **8** to fasten the piano main unit **1** to the side boards **2, 3** (one each for the right and left).**

Make sure to insert the screws (large) **8** by hand and give them a few turns by hand before using a screwdriver to tighten them.

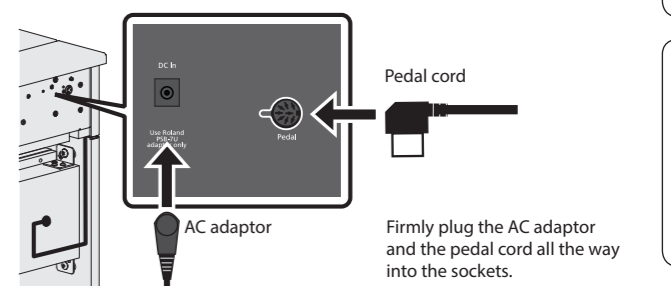
**10. Connect the speaker cord extending from the rear of the speaker box to the piano main unit's speaker connector.**



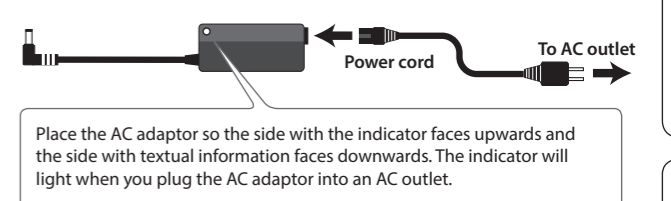
**11. Use screws (with washers) **10** to fasten the headphone hook **12**.**



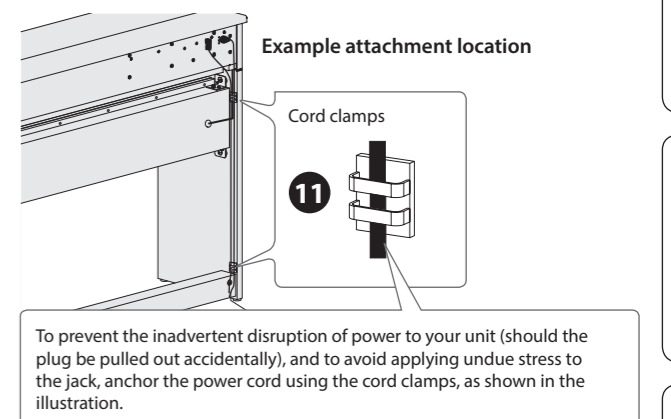
**12. Connect the AC adaptor to the DC In jack, the pedal cord to the Pedal jack.**



**13. Connect the supplied AC adaptor and power cord, and plug the power cord into an AC outlet.**



**14. As necessary, affix cord clamps to fasten the pedal cord.**



When Moving the Piano

When you need to move the piano, you should first close the keyboard cover and disconnect the AC adaptor.

When moving the unit, at least two people should work together and lift the unit carefully, all the while keeping it level, and being very careful so as not to pinch your hands or drop the unit on your feet.

